



















					1








					2









					3







					4

					5

					<h1>6</h1>
					

					<h1>7</h1>
					









					<h1>8</h1>
					

					<h1>9</h1>
					

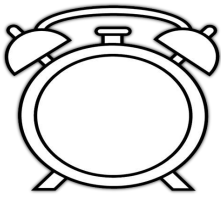
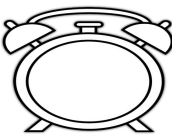


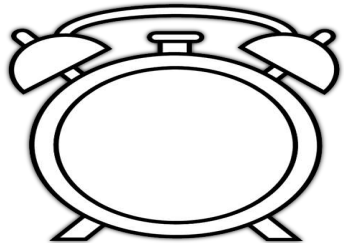
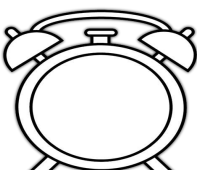
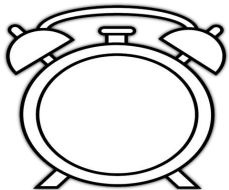
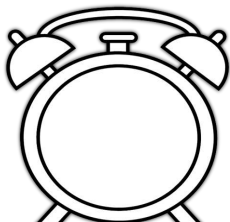

					<h1>10</h1>
					



How many clocks are there?



count, read, write, draw

		
		8
		eight
		eight



How many clocks are there?

count, read, write, draw



	
	1
	one

one



How many clocks are there?

count, read, write, draw




	
	2
	two

two



How many clocks are there?



count, read, write, draw

	
	3
	three
	



How many clocks are there?



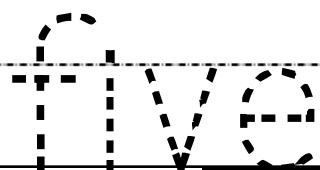
count, read, write, draw

	
	4
	four
four	



How many clocks are there?



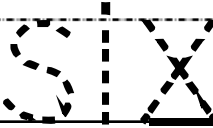
count, read, write, draw

	
	5
	five
<hr/> <hr/> 	



How many clocks are there?

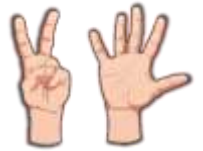
count, read, write, draw

	
	6
	six
<hr/>  <hr/>	



How many clocks are there?

count, read, write, draw



7

seven



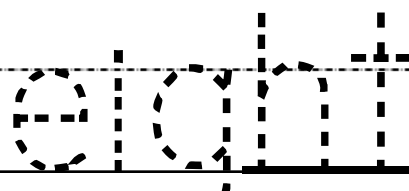


seven



How many clocks are there?



count, read, write, draw

	
	8
	eight
	



How many clocks are there?

count, read, write, draw

	
	9
	nine
<hr/> <hr/> <hr/>	
nine	



How many clocks are there?

count, read, write, draw



10

ten




ten

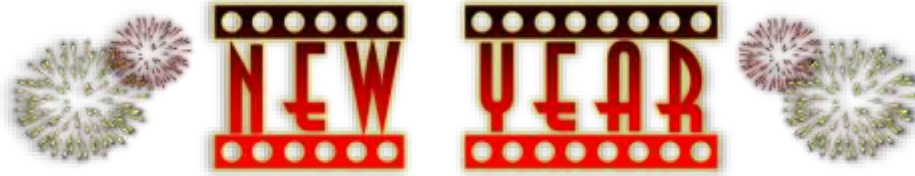
































How many clocks are there?

count, read, write, draw

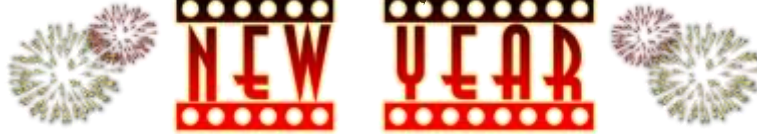
	
<hr/> <hr/> <hr/>	

Ten Frame items to count.



Vocabulary Cards



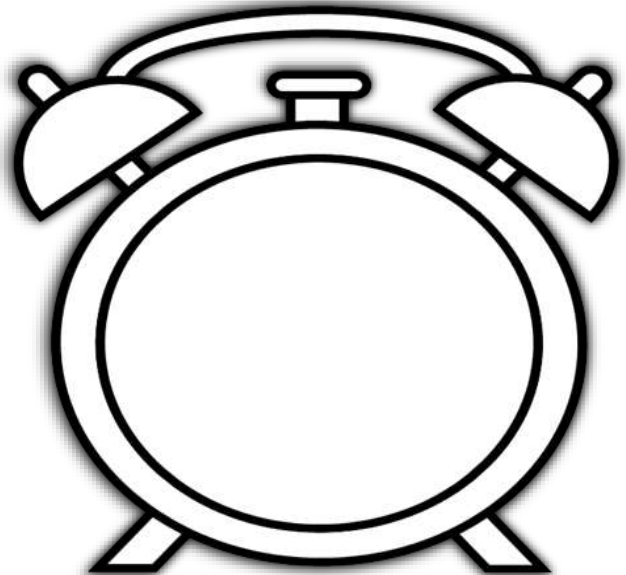
blue clock



green clock



red clock



clock

10,000 Resources and Growing!



Thank you for checking us out here at ESLKIDZ. We are a passionate group of kindergarten and elementary school teachers that love making new resources to use in our lessons and want to share them with others. Creating useful activities for young learners since 2008, we have been successfully providing teachers, parents, and students with valuable materials to help assist in the classroom and at home. For more information about who we are and what we provide check out some of our creations below.

Worksheets and Activity Packs



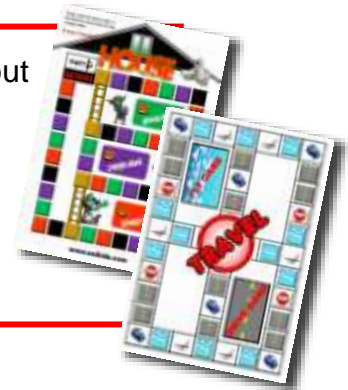
Themed activity packs and sets with anywhere from 12 to 80 pages of fun for the whole class. The activities include reading, writing, vocabulary, cutting, coloring, gluing, math, games, and customizable templates to create your own activities. These are perfect for holidays, seasons, and basic concepts such as travel and school. These also work well as supplementary material for your own lessons and homework.



Games and Fun



These games are perfect for any occasion and can be printed out and laminated for continued use with your learners. These games include learning vocabulary such as themed bingo and word / picture matching. There are also board style games that can be customized to meet your learning objectives in class. Download our free template board game [here](#).



Flashcards and Fun Money



Large and small themed flashcard sets available to use in class to help students learn and identify vocabulary as well as word and letter recognition. These are best if printed out and laminated for use over and over again. Also, we have over 50 themed sets of [fun play money](#) you can print out and use in class as part of an activity or as a reward system.



Clipart and Images



Check out some great clip art here. We have **robots, cats, cameras, phones, crayons**, and more. It's all free. We just ask that if you use it on your own products, give us some credit. Just say clipart is made by eslkidz. Thanks.

ESL KIDZ Copyright © 2017. All rights reserved.

www.eslkidz.com

