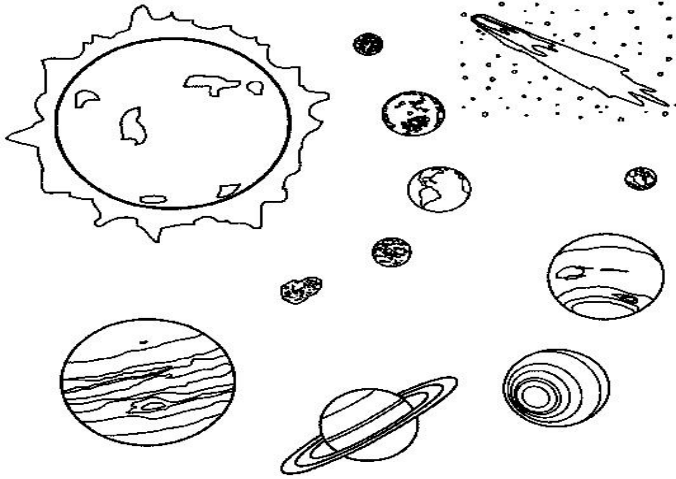


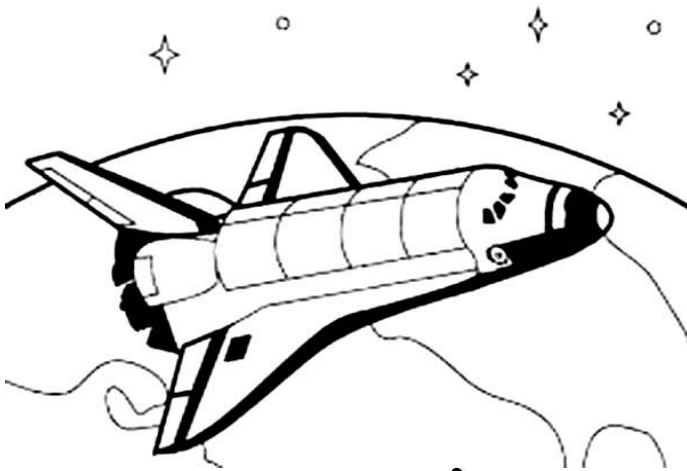
# Learn Vocabulary with these Flashcards



**s**pace



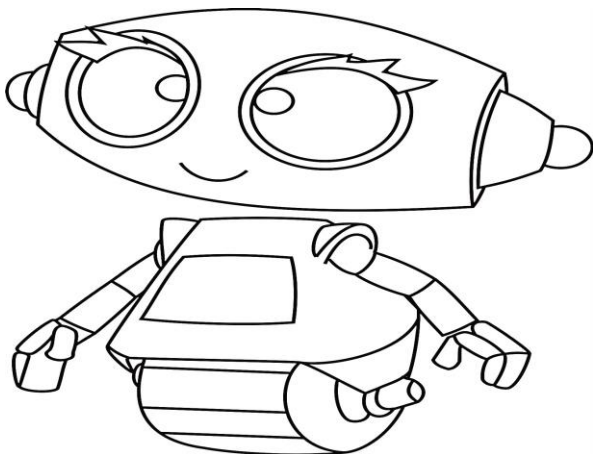
**a**stronaut



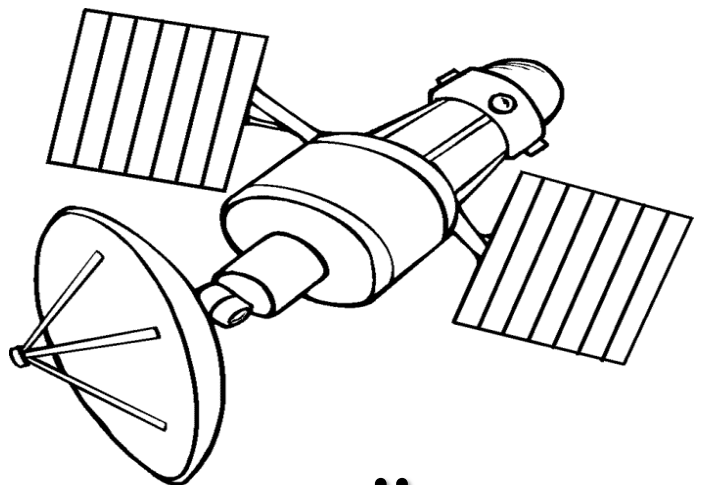
**s**paceship



**E**arth



**r**obot



**s**atellite

Color, Cut, Read, and Write

# Learn Vocabulary with these Flashcards



a



s



E



b



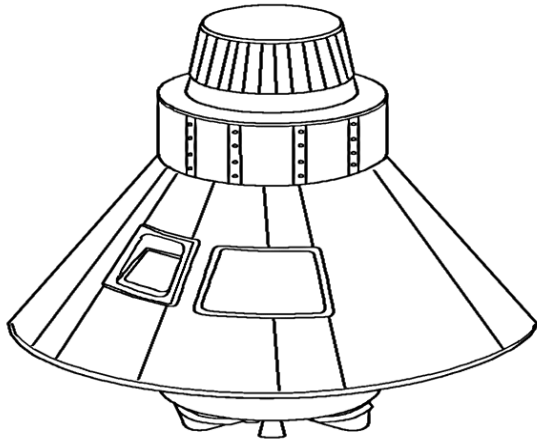
s



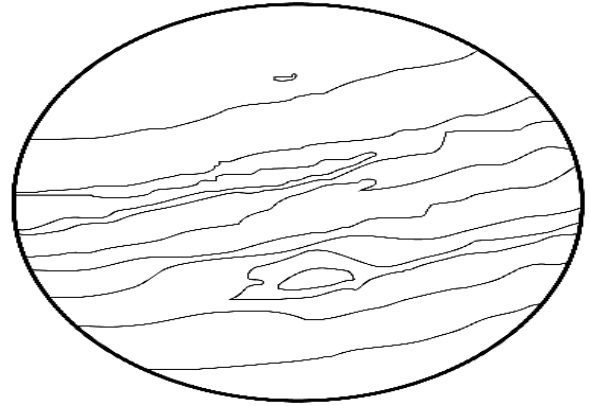
r

Color, Cut, Read, and Write

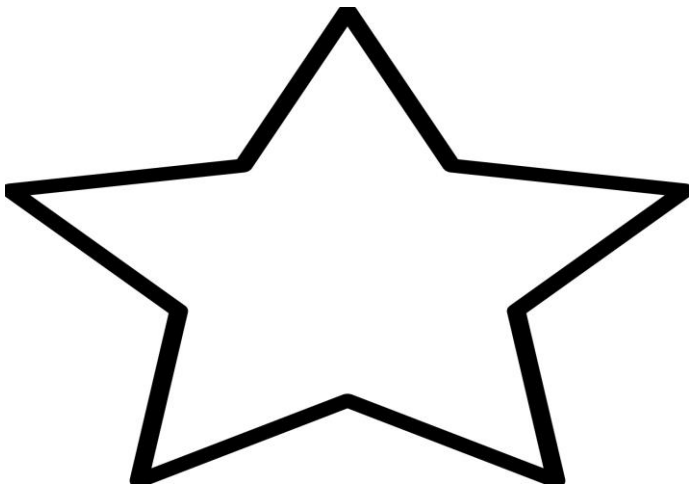
Learn Vocabulary with these Flashcards



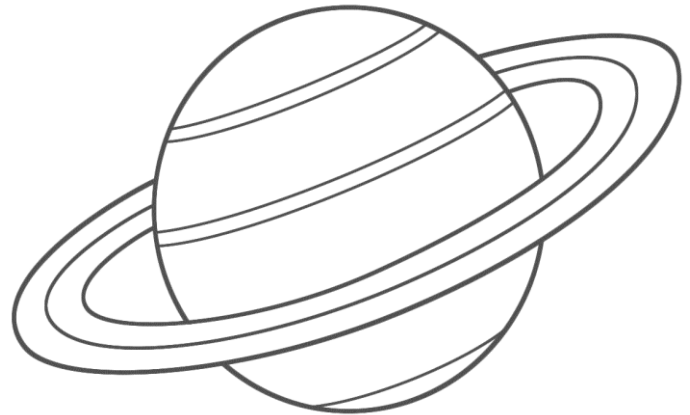
**c**apsule



**J**upiter



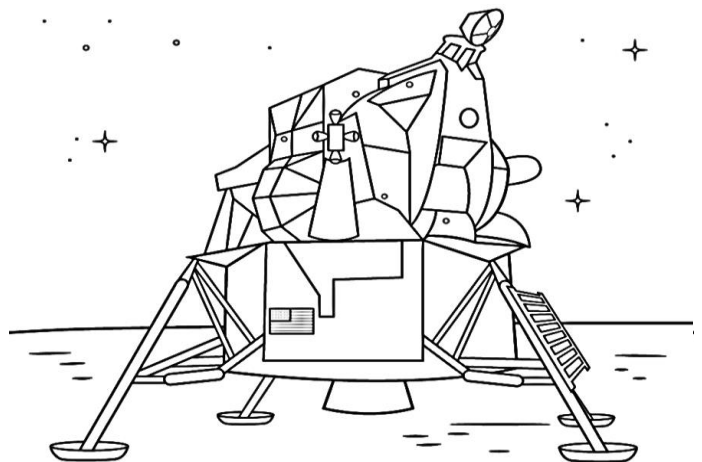
**s**tar



**S**aturn



**a**lien



**l**ander

Color, Cut, Read, and Write

# Learn Vocabulary with these Flashcards



J



c



S



s



l



a

Color, Cut, Read, and Write